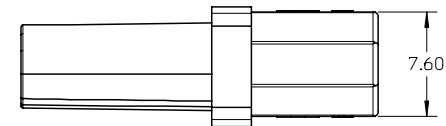
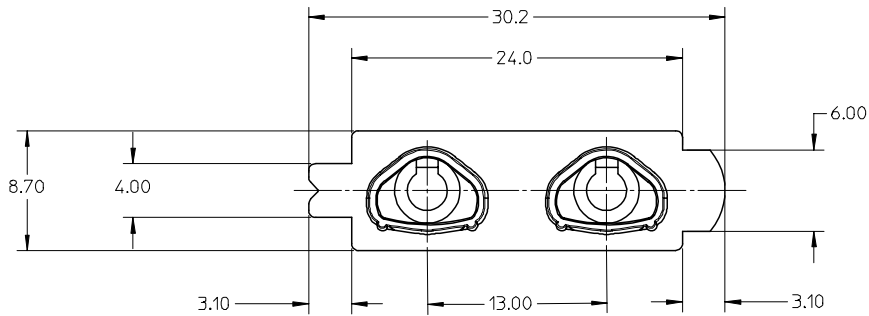
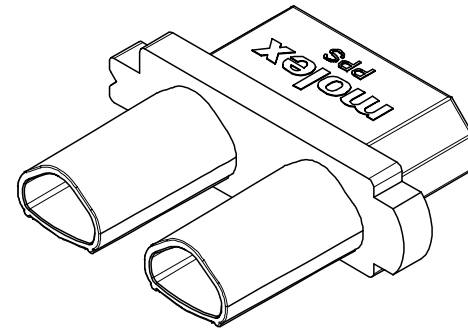
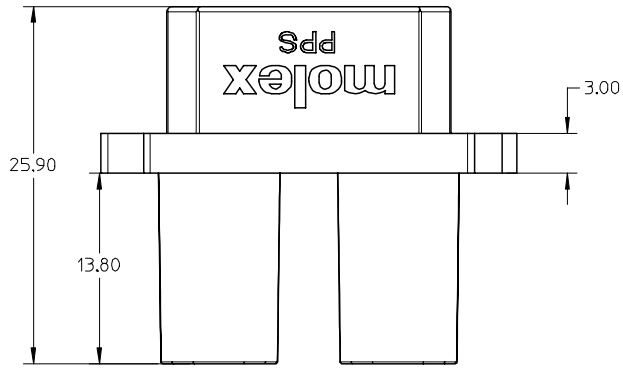


10 9 8 7 6 5 4 3 2 1



NOTES:

1. MATERIAL: PPS GLASS FILLED, UL94V-0, COLOR: BLACK
2. MATE WITH 78166 SERIES.
3. TERMINAL TO BE USED : P/N 78036-2001.
4. PACKAGING INFORMATION : BULK PACKAGING IN POLYBAG.
5. PRODUCT SPECIFICATION : PS-78036-001

NEW RELEASE	EC NO: S2007-0748	2007/03/01
	DRWN: BOKOK	2007/03/01
	CHKD: CGOH	2007/03/01
	APPR: KCLING	2007/03/02
A	REV	DESCRIPTION

QUALITY SYMBOLS	▽=0
	▽=0

GENERAL TOLERANCES (UNLESS SPECIFIED)	
	mm INCH
4 PLACES	± --- ± ---
3 PLACES	± --- ± ---
2 PLACES	± 0.3 ± ---
1 PLACE	± 0.5 ± ---
ANGULAR ± 3 °	
DRAFT WHERE APPLICABLE MUST REMAIN WITHIN DIMENSIONS	

DIMENSION STYLE		SCALE	DESIGN UNITS	THIRD ANGLE PROJECTION
MM ONLY		NTS	METRIC	
DRAWN BY	DATE	TITLE	PROJECTOR LAMP CONNECTOR 13MM PITCH, RECEPTACLE HOUSING	
BOKOK	2007/02/26			
CHECKED BY	DATE	MOLEX INCORPORATED		
CGOH	2007/03/01			
APPROVED BY	DATE	SD-78165-002		
KCLING	2007/03/01			
MATERIAL NO.	78165-1001	DOCUMENT NO.	SHEET NO.	
SIZE	A3	1 OF 1		

DRAWN BY		DATE	TITLE	
BOKOK		2007/02/26	PROJECTOR LAMP CONNECTOR 13MM PITCH, RECEPTACLE HOUSING	
CHECKED BY		DATE		
CGOH		2007/03/01		
APPROVED BY		DATE	MOLEX INCORPORATED	
KCLING		2007/03/01		
MATERIAL NO.		78165-1001	DOCUMENT NO.	SHEET NO.
SIZE		A3	1 OF 1	

9 8 7 6 5 4 3 2 1