

Configuration of Customer Documents List

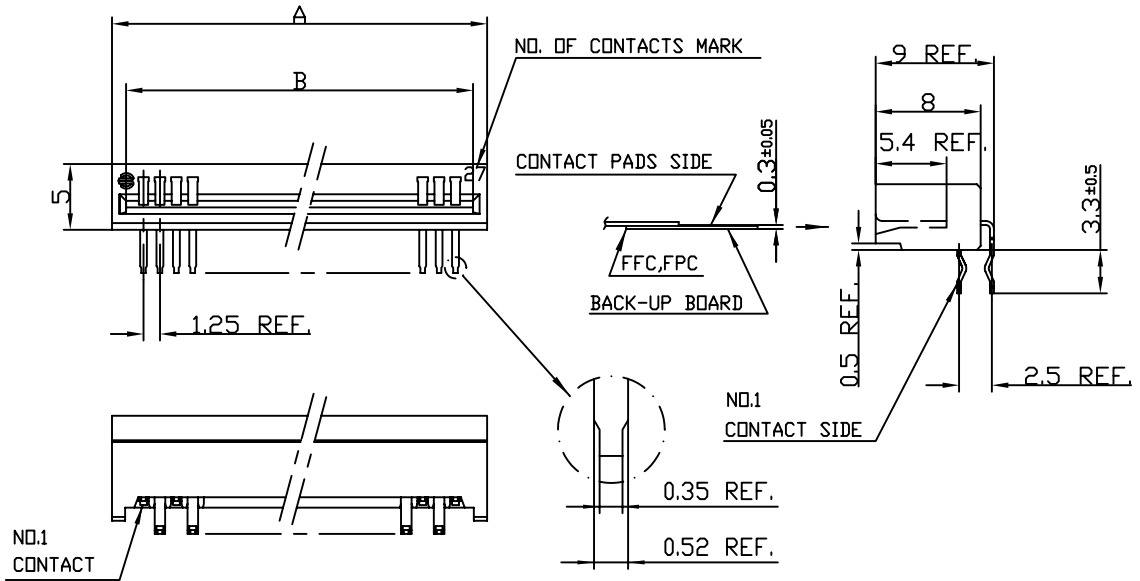
P/N	Documents	No.	Title
HLEM_R/S-1	Specification	SC-HLEM 01	
	Dwg.	JSA93270	1.25mm Spacing Connector for FPC/FFC (HLEM_R/S- )
		JSA93271	1.25mm Spacing Connector for FPC/FFC (HLEM_S-1 )
	Cable Manual	JSA28789 BJM-HLEM101	Recommended cable and P.C. board (HLEM_R/S- )
HLEM_R/S-2	Specification	SC-HLEM 01	
	Dwg.	JSC29055	1.25mm Spacing Connector for FPC/FFC (HLEM_R-2 )
		JSC29054	1.25mm Spacing Connector for FPC/FFC (HLEM_S-2 )
	Cable Manual	JSA28789 BJM-HLEM101	Recommended cable and P.C. board (HLEM_R/S- )
HLEM_R/S-1RLF (See Note ②③)	Specification	SC-HLEM 01	
	Dwg.	JSA94071	1.25mm Spacing Connector for FPC/FFC (HLEM_R-1RLF )
		JSA94072	1.25mm Spacing Connector for FPC/FFC (HLEM_S-1RLF )
	Cable Manual	JSA28789 BJM-HLEM101	Recommended cable and P.C. board (HLEM_R/S- )
HLEM_R/S-1RFLF (See Note ②③)	Specification	SC-HLEM 01	
	Dwg.	JSA94073	1.25mm Spacing Connector for FPC/FFC (HLEM_R-1RFLF )
		JSA94074	1.25mm Spacing Connector for FPC/FFC (HLEM_S-1RFLF )
	Cable Manual	JSA28789 BJM-HLEM101	Recommended cable and P.C. board (HLEM_R/S- )
HLEM_R/S-2RLF (See Note ②③)	Specification	SC-HLEM 01	
	Dwg.	JSA96132	1.25mm Spacing Connector for FPC/FFC (HLEM_R-2RLF )
		JSA96133	1.25mm Spacing Connector for FPC/FFC (HLEM_S-2RLF )
	Cable Manual	JSA28789 BJM-HLEM101	Recommended cable and P.C. board (HLEM_R/S- )
HLEM_R/S-2RFLF (See Note ②③)	Specification	SC-HLEM 01	
	Dwg.	JSA96134	1.25mm Spacing Connector for FPC/FFC (HLEM_R-2RFLF )
		JSA96135	1.25mm Spacing Connector for FPC/FFC (HLEM_S-2RFLF )
	Cable Manual	JSA28789 BJM-HLEM101	Recommended cable and P.C. board (HLEM_R/S- )

NOTES

1. THE HOUSING WILL WITHSTAND EXPOSURE TO 260 DEGREE PEAK TEMPERATURE FOR 10 SECONDS IN A WAVE SOLDER APPLICATION WITH A 1.57MM MINIMUM THICK CIRCUIT BOARD.
- ② THIS PRODUCT MEETS EUROPEAN UNION DIRECTIVES AND OTHER COUNTRY REGULATIONS AS DESCRIBED IN GS-22-008.
- ③ PART NUMBERS ENDING IN "LF" MEANS FOR NOTE ② LEAD FREE IDENTIFICATION.  
HLEMxxR/S-1/2R(F)LF IS EQUIVALENT TO PREVIOUS P/N HLEMxxR/S-1/2R(F).

mat'l. code		surface ASME Y14.5		tolerance ASME Y14.5		projection 		product family 58KF	
ltr	ecn no	dr	date	tolerances unless otherwise specified		title			
A	J04-0253	H.T	2004-08-03	angles	0±.3	1.25mm Spacing Connector (Customer documents list)			
B	J05-0014	H.T	2005-01-13	line	0.00±.10				
C	S05-0145	D.T	2005-06-15	0'±2'	0.000±.050	scale -			
D	S05-0290	D.T	2005-10-14	dr	T.ono	2004-08-03	sheet 1 of 1		size
E	S06-0252	P.C	2006-07-28	engr	H.Takakura	2004-08-03	JSA96023		A4
				chr	Patrick Chua	2006-07-28	type		Product Customer Drawing
				app	Joey Ng	2006-07-28			
sheet index	revision	E							
	sheet	1							

TOLERANCES  
UNLESS OTHERWISE SPECIFIED : ±0.2



MATERIAL : INSULATOR : PBT RESIN GLASS REINFORCED (UL94V-0)  
COLOR : BLACK  
CONTACT : PHOSPHOR BRONZE (TIN PLATED ; THICKNESS: 1 micron)

NO. OF CONTACTS	(See Note 3) CAT. NO.	DIMENSIONS		21	22	23	24	25	26	27	28	29	30	31	32	33	34	35	36	37	38	39	40	29.80	27.66	
		A ±0.3	B ±0.1																							
3	HLEM 3R-1RLF	7.30	5.16																							
4	HLEM 4R-1RLF	8.55	6.41																							
5	HLEM 5R-1RLF	9.80	7.66																							
6	HLEM 6R-1RLF	11.05	8.91																							
7	HLEM 7R-1RLF	12.30	10.16																							
8	HLEM 8R-1RLF	13.55	11.41																							
9	HLEM 9R-1RLF	14.80	12.66																							
10	HLEM10R-1RLF	16.05	13.91																							
11	HLEM11R-1RLF	17.30	15.16																							
12	HLEM12R-1RLF	18.55	16.41																							
13	HLEM13R-1RLF	19.80	17.66																							
14	HLEM14R-1RLF	21.05	18.91																							
15	HLEM15R-1RLF	22.30	20.16																							
16	HLEM16R-1RLF	23.55	21.41																							
17	HLEM17R-1RLF	24.80	22.66																							
18	HLEM18R-1RLF	26.05	23.91																							
19	HLEM19R-1RLF	27.30	25.16																							
20	HLEM20R-1RLF	28.55	26.41																							

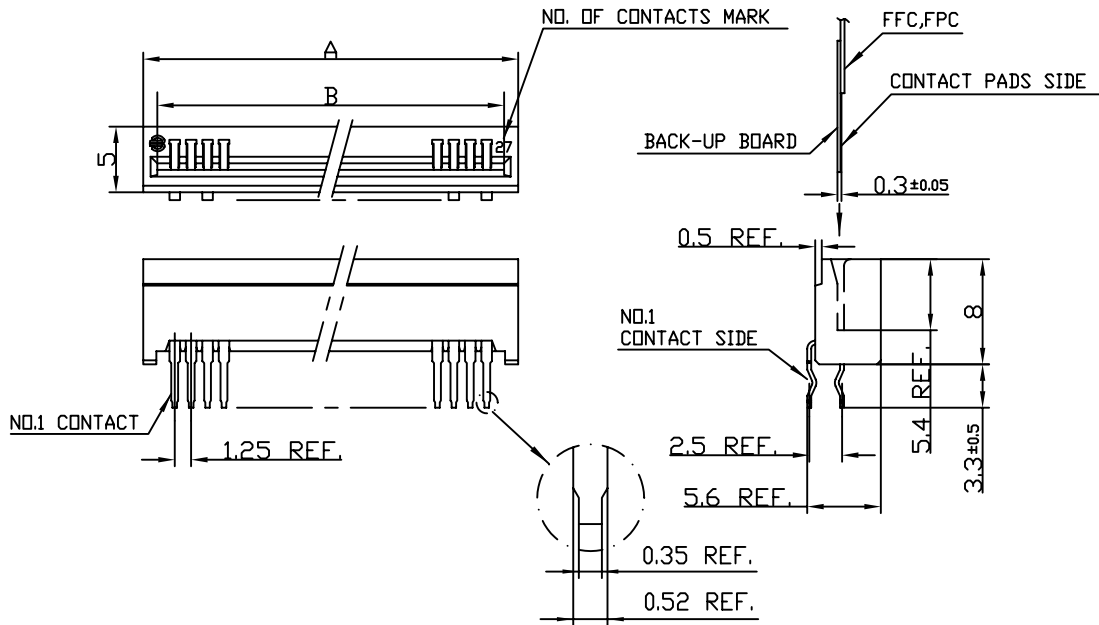
NOTES

- THE HOUSING WILL WITHSTAND EXPOSURE TO 260 DEGREE PEAK TEMPERATURE FOR 10 SECONDS IN A WAVE SOLDER APPLICATION WITH A 1.57MM MINIMUM THICK CIRCUIT BOARD.
- THIS PRODUCT MEETS EUROPEAN UNION DIRECTIVES AND OTHER COUNTRY REGULATIONS AS DESCRIBED IN GS-22-008.
- PART NUMBERS ENDING IN 'LF' MEANS FOR NOTE 2 LEAD FREE IDENTIFICATION.  
HLEMxxR/S-1RLF IS EQUIVALENT TO PREVIOUS P/N HLEMxxR/S-1R.

Cat. No. HLEM\_R-1RLF (See Note 3)

mat'l. code				surface <input checked="" type="checkbox"/> ISO 1302		tolerance <input checked="" type="checkbox"/> ISO 406		projection <input checked="" type="checkbox"/> ISO 1101		product family						
										58KF						
ltr	ecn no	dr	date	tolerances unless otherwise specified				mm		title						
AA	J04-0253	H.T	2004-08-03	angles				.0±.3		1.25mm Spacing Connector for FPC/FFC						
AB	S05-0145	D.T	2005-06-24	linear												
AC	S06-0252	P.C	2006-07-28	0°±2'												
				dr	M.Itsuka		1997-02-13				dwg no		sheet 1 of 1		size	
				engr	S.Ito		1997-02-13				JSA 94071		A4			
				chr	Patrick Chua		2006-07-28									
				app	Joey Ng		2006-07-28									
sheet index		revision sheet		AC		1										

TOLERANCES  
UNLESS OTHERWISE SPECIFIED : ±0.2



MATERIAL: INSULATOR : PBT RESIN GLASS REINFORCED (UL94V-0)  
COLOR : BLACK  
CONTACT : PHOSPHOR BRONZE (TIN PLATED ; THICKNESS: 1 micron)

NO. OF CONTACTS	(See Note 3) CAT. NO.	DIMENSIONS		21	HLEM21S-1RLF	29.80	27.66
		A ±0.3	B ±0.1				
3	HLEM 3S-1RLF	7.30	5.16	22	HLEM22S-1RLF	31.05	28.91
4	HLEM 4S-1RLF	8.55	6.41	23	HLEM23S-1RLF	32.30	30.16
5	HLEM 5S-1RLF	9.80	7.66	24	HLEM24S-1RLF	33.55	31.41
6	HLEM 6S-1RLF	11.05	8.91	25	HLEM25S-1RLF	34.80	32.66
7	HLEM 7S-1RLF	12.30	10.16	26	HLEM26S-1RLF	36.05	33.91
8	HLEM 8S-1RLF	13.55	11.41	27	HLEM27S-1RLF	37.30	35.16
9	HLEM 9S-1RLF	14.80	12.66	28	HLEM28S-1RLF	38.55	36.41
10	HLEM10S-1RLF	16.05	13.91	29	HLEM29S-1RLF	39.80	37.66
11	HLEM 11S-1RLF	17.30	15.16	30	HLEM30S-1RLF	41.05	38.91
12	HLEM 12S-1RLF	18.55	16.41	31	HLEM31S-1RLF	42.30	40.16
13	HLEM13S-1RLF	19.80	17.66	32	HLEM32S-1RLF	43.55	41.41
14	HLEM14S-1RLF	21.05	18.91	33	HLEM33S-1RLF	44.80	42.66
15	HLEM15S-1RLF	22.30	20.16	34	HLEM34S-1RLF	46.05	43.91
16	HLEM16S-1RLF	23.55	21.41	35	HLEM35S-1RLF	47.30	45.16
17	HLEM17S-1RLF	24.80	22.66	36	HLEM36S-1RLF	48.55	46.41
18	HLEM18S-1RLF	26.05	23.91	37	HLEM37S-1RLF	49.80	47.66
19	HLEM19S-1RLF	27.30	25.16	38	HLEM38S-1RLF	51.05	48.91
20	HLEM20S-1RLF	28.55	26.41	39	HLEM39S-1RLF	52.30	50.16
				40	HLEM40S-1RLF	53.55	51.41

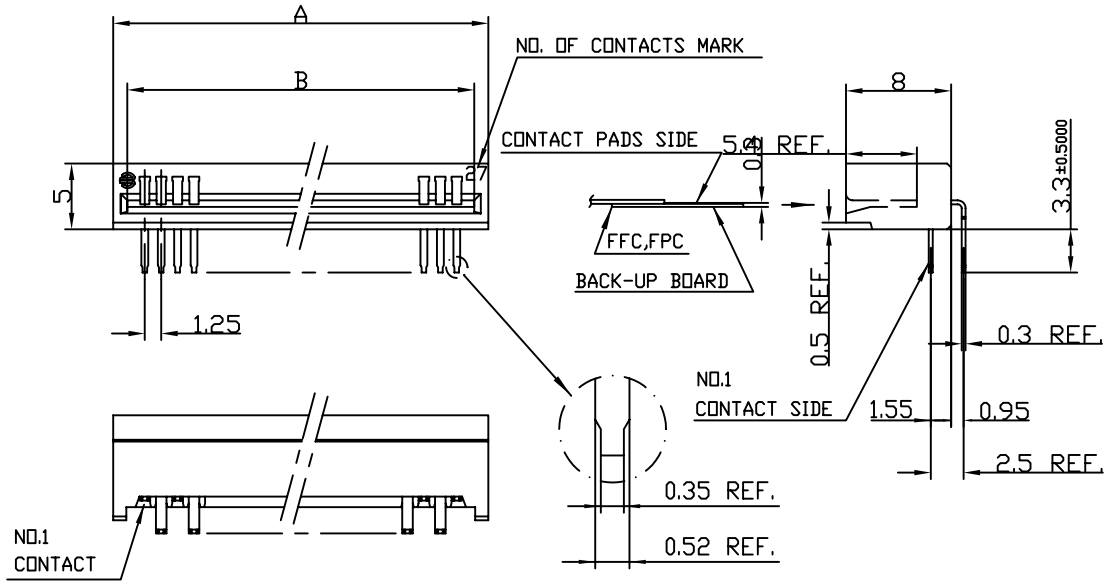
NOTES

1. THE HOUSING WILL WITHSTAND EXPOSURE TO 260 DEGREE PEAK TEMPERATURE FOR 10 SECONDS IN A WAVE SOLDER APPLICATION WITH A 1.57MM MINIMUM THICK CIRCUIT BOARD.
2. THIS PRODUCT MEETS EUROPEAN UNION DIRECTIVES AND OTHER COUNTRY REGULATIONS AS DESCRIBED IN GS-22-008.
3. PART NUMBERS ENDING IN "LF" MEANS FOR NOTE 2 LEAD FREE IDENTIFICATION.  
HLEMxxR/S-1RLF IS EQUIVALENT TO PREVIOUS P/N HLEMxxR/S-1R.

HLEM\_S-1RLF (See Note 3)

mat'l. code				surface <input checked="" type="checkbox"/> ISO 1302		tolerance <input checked="" type="checkbox"/> ISO 406		projection <input checked="" type="checkbox"/> ISO 1101		product family			
ltr				ecn no		dr		date		58KF			
AA J04-0253				H.T.		2004-08-03				title			
AB S05-0145				D.T.		2005-06-24				1.25mm Spacing Connector for FPC/FPC			
AC S06-0252				P.C.		2006-07-28				scale -			
				dr		M.Itsuka		1997-02-13		dwg no			
				enrg		S.Ito		1997-02-13		sheet 1 of 1			
				chr		Patrick Chua		2006-07-28		JSA 94072			
				appd		Joey Ng		2006-07-28		A4			
sheet index				revision sheet		AC 1				type Product Customer Drawing			

TOLERANCES  
UNLESS OTHERWISE SPECIFIED : ±0.2



MATERIAL: INSULATOR : PBT RESIN GLASS REINFORCED (UL94V-0)

COLOR : BLACK

CONTACT : PHOSPHOR BRONZE (TIN PLATED); THICKNESS: 1 micron)

NO. OF CONTACTS	CAT. NO.	DIMENSIONS		21	HLEM21R-2R	29.80	27.66
		A ±0.3	B ±0.1				
3	HLEM 3R-2R	7.30	5.16	22	HLEM22R-2R	31.05	28.91
4	HLEM 4R-2R	8.55	6.41	23	HLEM23R-2R	32.30	30.16
5	HLEM 5R-2R	9.80	7.66	24	HLEM24R-2R	33.55	31.41
6	HLEM 6R-2R	11.05	8.91	25	HLEM25R-2R	34.80	32.66
7	HLEM 7R-2R	12.30	10.16	26	HLEM26R-2R	36.05	33.91
8	HLEM 8R-2R	13.55	11.41	27	HLEM27R-2R	37.30	35.16
9	HLEM 9R-2R	14.80	12.66	28	HLEM28R-2R	38.55	36.41
10	HLEM 10R-2R	16.05	13.91	29	HLEM29R-2R	39.80	37.66
11	HLEM 11R-2R	17.30	15.16	30	HLEM30R-2R	41.05	38.91
12	HLEM 12R-2R	18.55	16.41	31	HLEM31R-2R	42.30	40.16
13	HLEM 13R-2R	19.80	17.66	32	HLEM32R-2R	43.55	41.41
14	HLEM 14R-2R	21.05	18.91	33	HLEM33R-2R	44.80	42.66
15	HLEM 15R-2R	22.30	20.16	34	HLEM34R-2R	46.05	43.91
16	HLEM 16R-2R	23.55	21.41	35	HLEM35R-2R	47.30	45.16
17	HLEM 17R-2R	24.80	22.66	36	HLEM36R-2R	48.55	46.41
18	HLEM 18R-2R	26.05	23.91	37	HLEM37R-2R	49.80	47.66
19	HLEM 19R-2R	27.30	25.16	38	HLEM38R-2R	51.05	48.91
20	HLEM 20R-2R	28.55	26.41	39	HLEM39R-2R	52.30	50.16
				40	HLEM40R-2R	53.55	51.41

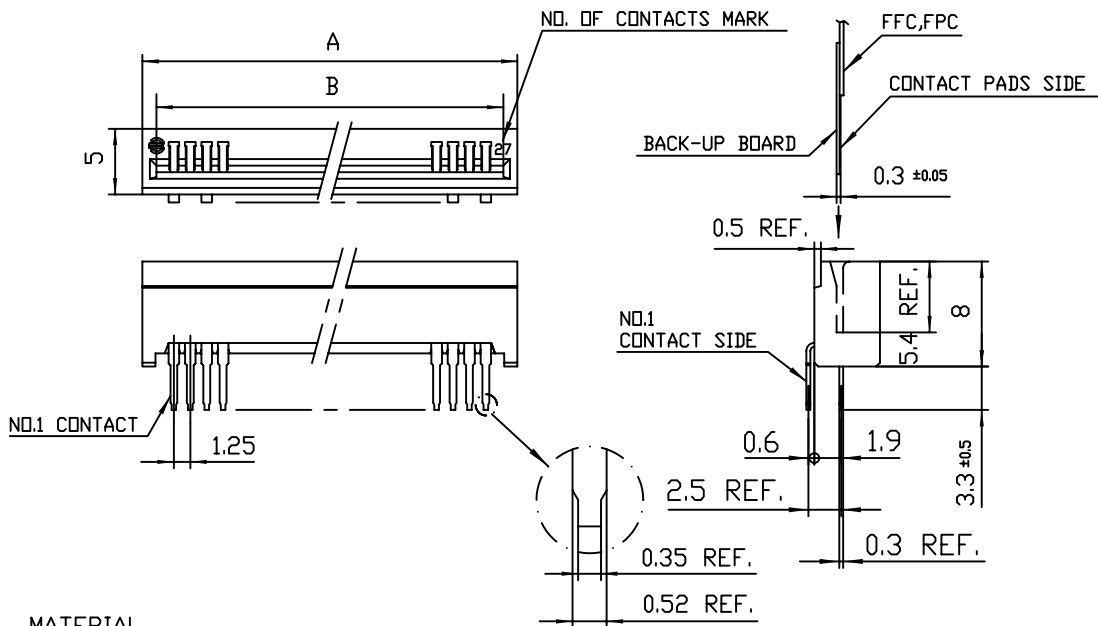
NOTES

1. THE HOUSING WILL WITHSTAND EXPOSURE TO 260 DEGREE PEAK TEMPERATURE FOR 10 SECONDS IN A WAVE SOLDERAPPLICATION WITH A 1.75MM MINIMUM THICK CIRCUIT BOARD.
2. THIS PRODUCT MEETS EUROPEAN UNION DIRECTIVES AND OTHER COUNTRY REGULATIONS AS DESCRIBED IN GS-22-008.
3. PART NUMBERS ENDING IN "LF" MEANS FOR NOTES 2 LEAD FREE IDENTIFICATION. HLEMxxR-2RLF IS EQUIVALENT TO PREVIOUS P/N HLEMxxR-2R.

(Cat. No. HLEM\_R-2R) (See Note 3)

mat'l. code				surface <input checked="" type="checkbox"/> ISO 1302		tolerance <input checked="" type="checkbox"/> ISO 406		projection <input checked="" type="checkbox"/> ISO 1101		product family			
ltr				ecn no		dr		date		58KF			
A				J04-0439		H.T		2004-12-06		title			
B				S05-0176		D.T		2005-06-24		1.25mm Spacing Connector for FPC/FFC			
C				S06-0252		P.C		2006-07-28		scale -			
				dr		H.Takakura		2004-12-06		dwg no			
				enrg		H.Takakura		2004-12-06		sheet 1 of 1			
				chr		Patrick Chua		2006-07-28		JSA 96132			
				appd		Joey Ng		2006-07-28		A4			
sheet index				revision		C				type			
1				sheet		1				Product Customer Drawing			

TOLERANCES  
UNLESS OTHERWISE SPECIFIED : ±0.2



MATERIAL

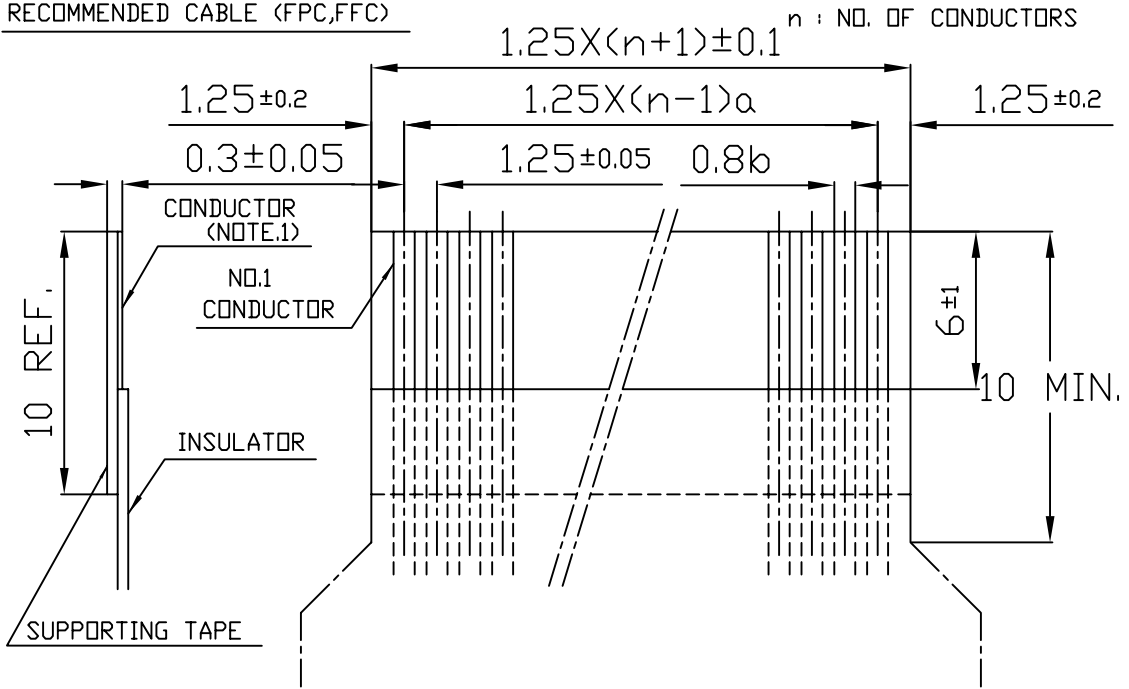
INSULATOR : PBT RESIN GLASS REINFORCED (UL94V-0)  
COLOR : BLACK  
CONTACT : PHOSPHOR BRONZE (TIN PLATED)(LEAD FREE)

NO. OF CONTACTS	CAT. NO.	DIMENSIONS		21	HLEM21S-2R	29.80	27.66
		A ±0.3	B ±0.1				
3	HLEM 3S-2R	7.30	5.16	22	HLEM22S-2R	31.05	28.91
4	HLEM 4S-2R	8.55	6.41	23	HLEM23S-2R	32.30	30.16
5	HLEM 5S-2R	9.80	7.66	24	HLEM24S-2R	33.55	31.41
6	HLEM 6S-2R	11.05	8.91	25	HLEM25S-2R	34.80	32.66
7	HLEM 7S-2R	12.30	10.16	26	HLEM26S-2R	36.05	33.91
8	HLEM 8S-2R	13.55	11.41	27	HLEM27S-2R	37.30	35.16
9	HLEM 9S-2R	14.80	12.66	28	HLEM28S-2R	38.55	36.41
10	HLEM 10S-2R	16.05	13.91	29	HLEM29S-2R	39.80	37.66
11	HLEM 11S-2R	17.30	15.16	30	HLEM30S-2R	41.05	38.91
12	HLEM 12S-2R	18.55	16.41	31	HLEM31S-2R	42.30	40.16
13	HLEM 13S-2R	19.80	17.66	32	HLEM32S-2R	43.55	41.41
14	HLEM 14S-2R	21.05	18.91	33	HLEM33S-2R	44.80	42.66
15	HLEM 15S-2R	22.30	20.16	34	HLEM34S-2R	46.05	43.91
16	HLEM 16S-2R	23.55	21.41	35	HLEM35S-2R	47.30	45.16
17	HLEM 17S-2R	24.80	22.66	36	HLEM36S-2R	48.55	46.41
18	HLEM 18S-2R	26.05	23.91	37	HLEM37S-2R	49.80	47.66
19	HLEM 19S-2R	27.30	25.16	38	HLEM38S-2R	51.05	48.91
20	HLEM 20S-2R	28.55	26.41	39	HLEM39S-2R	52.30	50.16
				40	HLEM40S-2R	53.55	51.41

(Cat. No. HLEM\_S-2R)

mat'l. code				surface	tolerance	projection	product family			
				ISO 1302	ISO 406	ISO 1101	58KF			
ltr	ecn no	dr	date	tolerances unless otherwise specified		mm	title			
A	J04-0439	H.T	2004-12-06	angles	linear		1.25mm Spacing Connector for FPC/FFC			
B	S05-0176	D.T	2005-06-24				scale -			
C	S06-0252	P.C	2006-07-28	dr			dwg no		sheet 1 of 1	size
				engr			JSA 96133		A4	
				chr	Patrick Chua		2006-07-28	type		
				app	Joey Ng		2006-07-28	Product Customer Drawing		
sheet index	revision	C	1							

RECOMMENDED CABLE (FPC,FFC)



NOTE

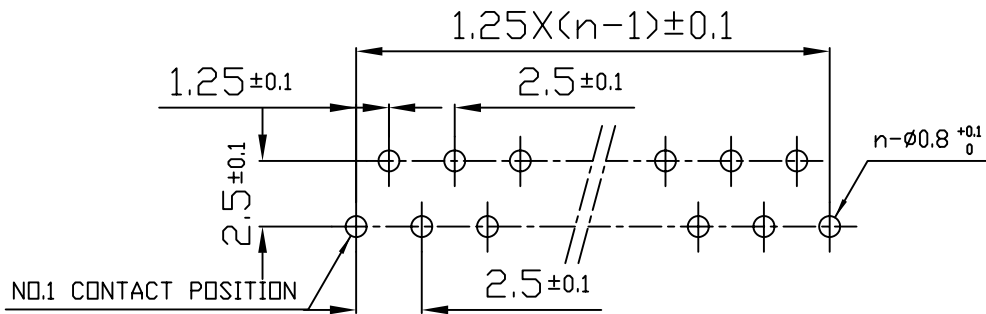
1. FINISH : SOLDER OR TIN PLATED. (1um MIN.)
2. NO BURR AT EACH POSITION.
3. NO PEELING IN COMMON USE.

TYPE	TOLERANCES	
	a	b
FPC	±0.05	±0.1
FFC	±0.1	±0.03

RECOMMENDED P.C. BOARD

THICKNESS : ±0.9 - 2  
HOLE PATTARN (COMPONENT SIDE)

n : NO. OF CONTACTS



Cat. No. hLEM\_R/S-\_\_\_

mat'l. code				surface ISO 1302 ✓		tolerance ISO 406 ISO 1101		projection		product family			
ltr				ecn no		dr		date		tolerances unless otherwise specified		title	
AA				J04-0253		H.T		2004-08-03		angles		58EX	
AB				S06-0252		P.C		2006-07-28		linear		RECOMMENDED CABLE AND P.C. BOARD	
						0°±2°				scale -		dwg no	
						dr				mm		sheet 1 of 1	
						enrg				FCJ		size	
						chr		Patrick Chua		2006-07-28		JSA 28789	
						appd		Joey Ng		2006-07-28		A4	
sheet index		revision sheet		AB		1						type	
												Product Customer Drawing	