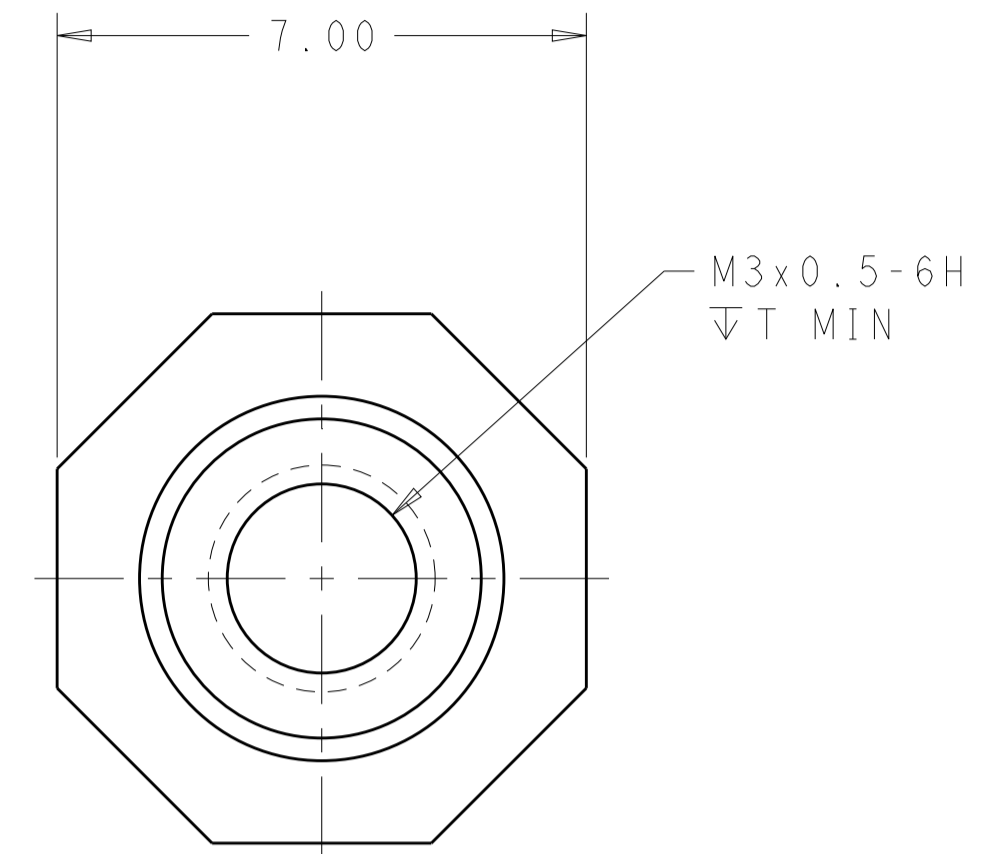
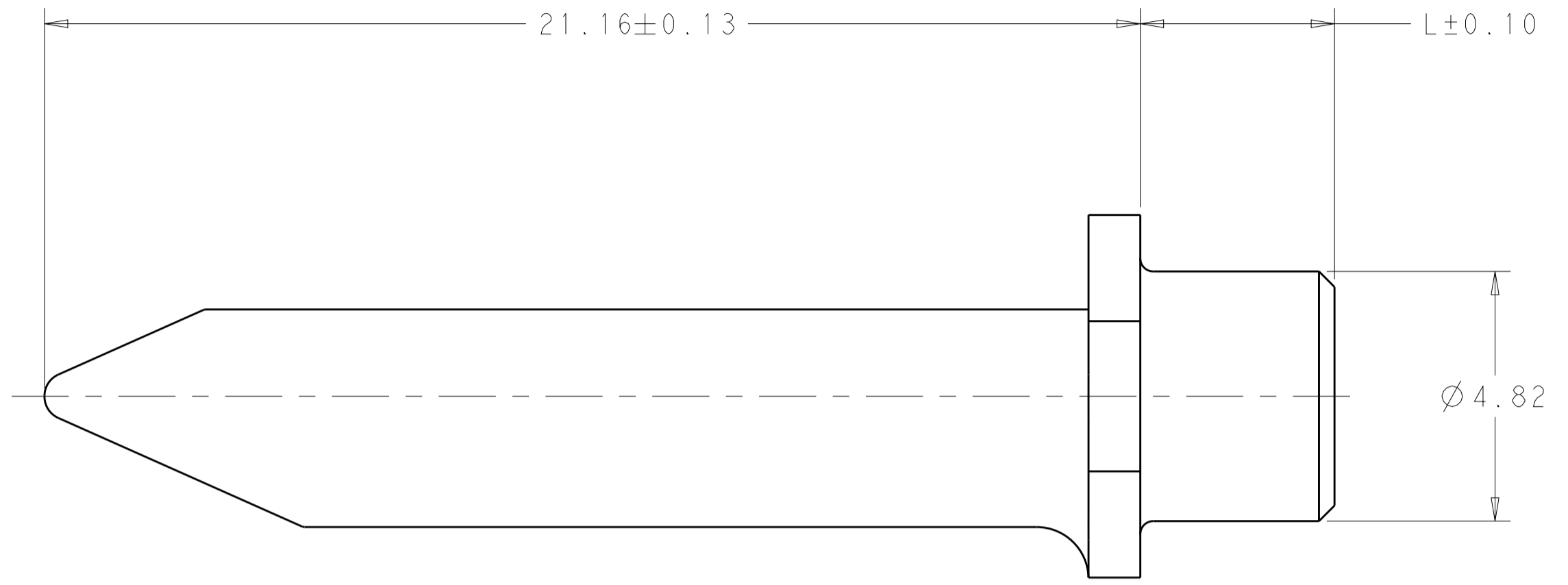
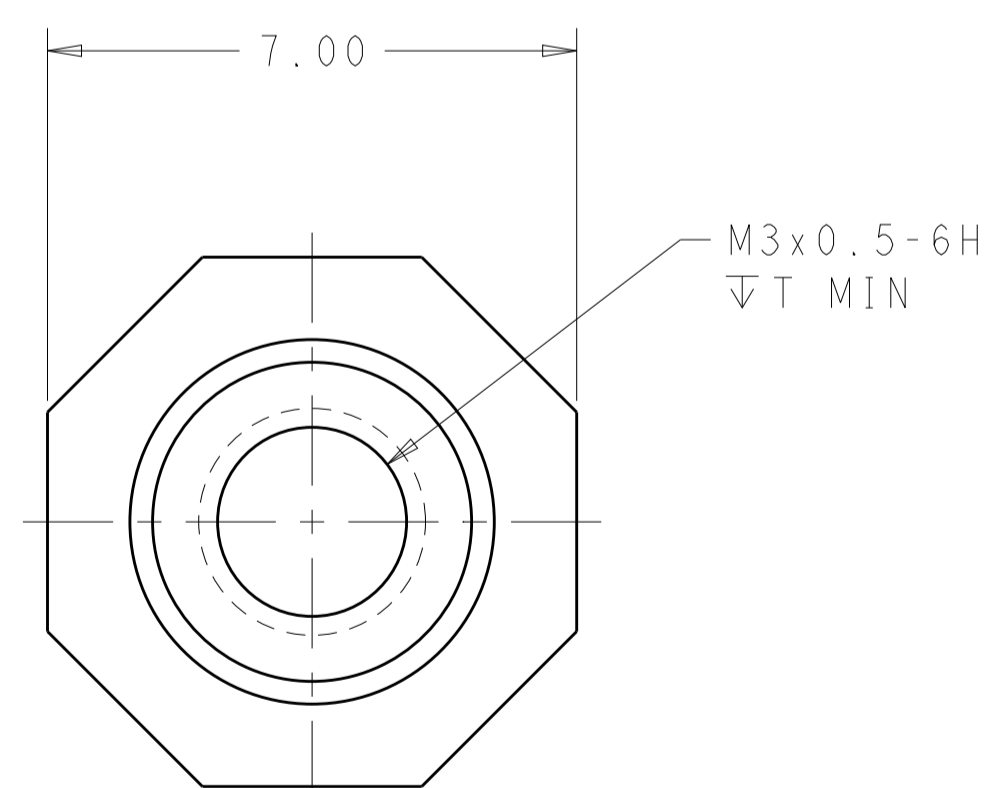
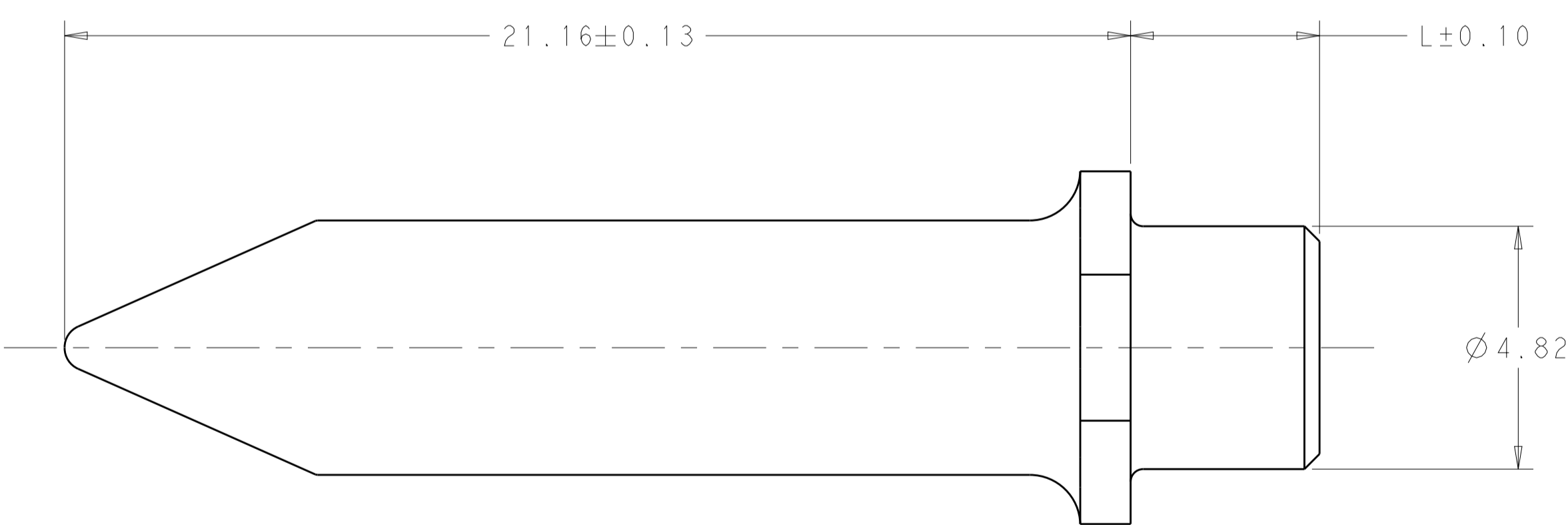


REVISIONS							
LOC	DIST	P	LTN	DESCRIPTION	DATE	DWN	APVD
		A		ECO-13-015101	27SEP2013	DB	KT
		B		ECO-14-000226	08JAN2014	DB	KT
		C		REVISED PER ECO-14-007808	29MAY2014	BY	KMT



2102502-2 & 2102502-6

(KEYED)



2102502-4 & 2102502-8

(NON-KEYED)

WEIGHT	DIM "T"	DIM "L"	DESCRIPTION	PART NUMBER
3.50g	4.75	5.00	NON-KEYED	2102502-8
3.20g	4.75	5.00	KEYED	2102502-6
3.07g	3.5	3.75	NON-KEYED	2102502-4
3.36g	3.5	3.75	KEYED	2102502-2

THIS DRAWING IS A CONTROLLED DOCUMENT. DWN: D. BELACK 10FEB2012
 CHK: K. THACKSTON
 APVD: K. THACKSTON

STE TE Connectivity

NAME: GUIDE PIN, METAL SHELL LRU

PRODUCT SPEC: 108-2474
 APPLICATION SPEC: 408-10464

MATERIAL: STAINLESS STEEL FINISH: PASSIVATED

WEIGHT: 3.50g DIM T: 4.75 DIM L: 5.00

Customer Drawing SCALE: 10:1 SHEET 1 OF 1 REV C